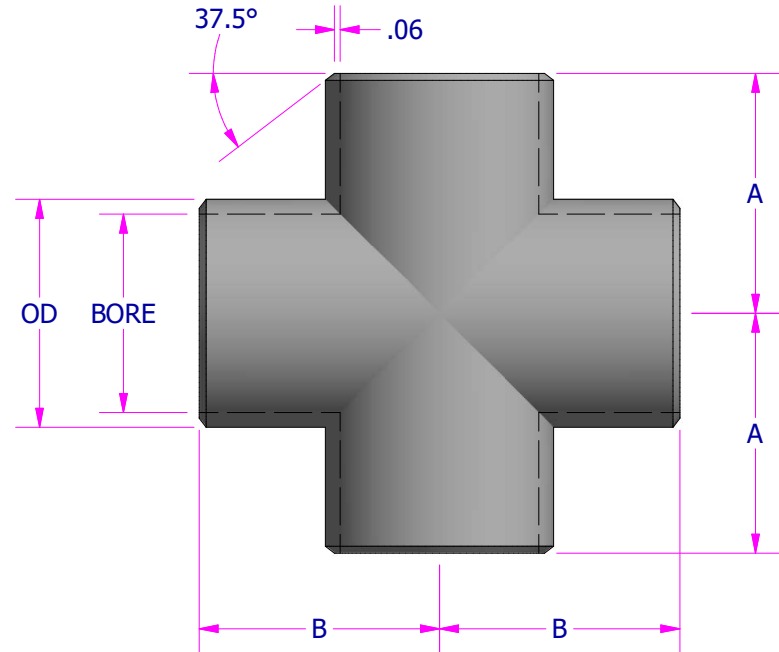


BUTTWELDING CROSSES - ASME B16.9

SIZE	OD	A	*B
0.5	0.84	1.00	1.00
0.75	1.05	1.12	1.12
1	1.32	1.50	1.50
1.25	1.66	1.88	1.88
1.5	1.90	2.25	2.25
2	2.38	2.50	2.50
2.5	2.88	3.00	3.00
3	3.50	3.38	3.38
3.5	4.00	3.75	3.75
4	4.50	4.12	4.12
5	5.56	4.88	4.88
6	6.62	5.62	5.62
8	8.62	7.00	7.00
10	10.75	8.50	8.50
12	12.75	10.00	10.00
14	14.00	11.00	11.00
16	16.00	12.00	12.00
18	18.00	13.50	13.50
20	20.00	15.00	15.00
22	22.00	16.50	16.50
24	24.00	17.00	17.00
26	26.00	19.50	19.50
28	28.00	20.50	20.50
30	30.00	22.00	22.00
32	32.00	23.50	23.50
34	34.00	25.00	25.00
36	36.00	26.50	26.50
38	38.00	28.00	28.00
40	40.00	29.50	29.50
42	42.00	30.00	28.00
44	44.00	32.00	30.00
46	46.00	33.50	31.50
48	48.00	35.00	33.00



***OUTLET DIM B FOR RUN SIZES 26" AND LARGER IS RECOMMENDED BUT NOT REQUIRED.
BORE TO BE SPECIFIED.**

DRAWN BY BAH	DATE 7/14/2020
APPROVED BY SB	DATE 7/14/2020
DESCRIPTION BUTT WELDING CROSSES - ASME B16.9	
DRAWING NUMBER BUTT WELDING CROSSES B16.9	REV 0



** ALL DIMENSIONS ARE IN INCHES.